



Designer & Manufacturer of Industrial Lab Equipment

## میکروسکوپ عبوری انعکاسی (RTT - ۶۰۱)



P o u y e s h   S a n a t   A l b o r z   T a v a n a

آدرس: آبیگ خیابان طالقانی میدان سردار سلیمانی بلوار باهنر خیابان مالیات درب اول جنوبی صندوق پستی ۱۱۷۵-۳۴۴۱۵

Email: psatco@yahoo.com

تلفن: ۰۲۸-۳۲۸۹۴۰۶۷-۸ فکس: ۰۲۸-۳۲۸۹۴۰۶۹

www.pouyesh-sanat.ir



Designer & Manufacturer of Industrial Lab Equipment

## 601 Series Polarizing Microscope



601 R  
Polarizing Micro



601 RT  
Polarizing Microscope  
Transmit & Reflect



601 T  
Polarizing Microscope



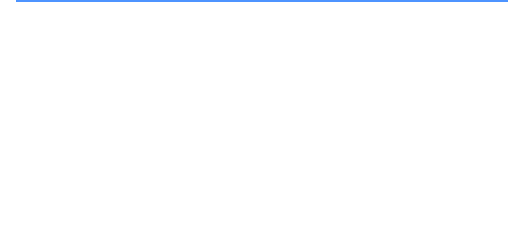
## Product Details



**Super Wide Field Eyepiece**  
SWF 10x/22mm  
Eyepiece Dia. 30mm Diopter Adjustable



**The Eyepiece Tube Has Fix Screw**  
To Prevent Eyepiece Falling Damage Move



**Retical Eyepiece WF 10x/20mm, Dia. 30mm**  
With Micrometer-X 0.1mm/10Div/ Y Single Line, Diopter Adjustable  
Joint Move Design: Specially For Polarizing Microscope, To Keep Right Side Eyepiece's Cross In View Field Keep Vertical Direction Even When Eyepiece Tube Turned.



Fixed Eyepiece



Split Eyepiece

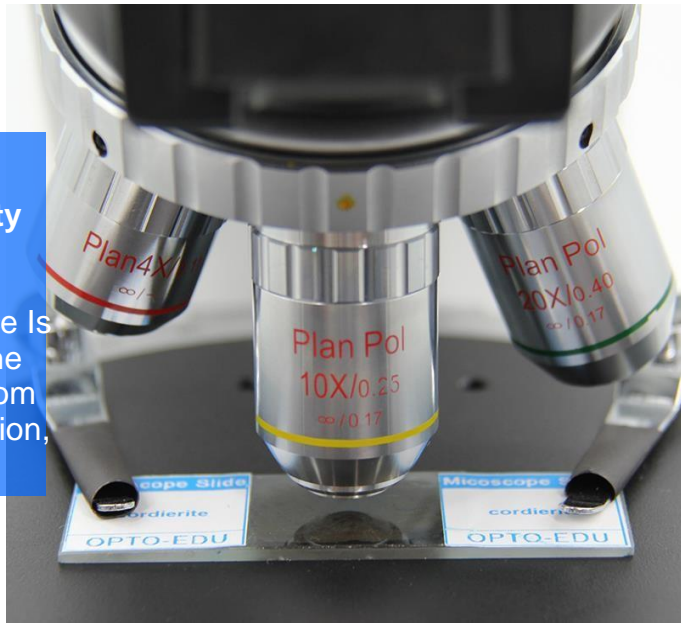
**Trinocular Head Light Split Optional Between Switch Split Eyepiece & Fixed Eyepiece**



In Fixed Light Split, Eyepiece 100% : Photo 20% User Can View Image At Same Time In Both Path In Switch Light Split, Eyepiece 100%:Photo 20% / Eyepiece 20%:Photo 100%, Camera Can Have 100% Light For Photo Capture.



Large Size High Precision Centering Quintuple Nosepiece, **Nonstress Infinity Plan Objective (Transmitting)**  
4x, 10x, 20x, 40x Available  
Remark: The Yellow Mark On Nosepiece Is Standard Position For 10x Objective, The Rest Objectives Should Be Mounted From High To Low Power In Clockwise Direction, As Above Picture Shown.





**Designer & Manufacturer of Industrial Lab Equipment**



Round Stage Diameter  
 $\Phi 144$ mm, For Reflect Light,  
For 701-R

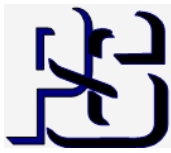
Round Stage Diameter  
 $\Phi 144$ mm, For Reflect  
Light, For 701-T&RT



For 701-T

Reflect Light 6W LED,  
Koehler Illumination  
For 701-R&RT

**Analyzer Rotatable  $360^\circ$ , Module Type, Can Be Locked**  
With Bertrand Lens Built-in Focus Adjustable, With Compensator Slide,  
Quartz Wedge Slide Slot



Items	Series Polarizing Microscope	T Transmit		R Reflect		RT Trans&Reflect		Cata. No.
		TB	TT	RB	RT	RTB	RTT	
Head	Professional Polarizing Seidentopf Binocular Head, Inclined 30°, Interpupillary Distance 48-71mm, Eyepiece Tube Dia. 20mm, Joint Move Design: Speically For Polarizing Microscope, To Keep Right Side Eyepiece's Cross In View Field Keep Vertical Direction Even When Eyepiece Tube Turned	•		•		•		A02,2620-B
	Professional Polarizing Seidentopf Trinocular Head, Inclined 30°, Interpupillary Distance 48-71mm, Light Split Switch E100:P/E20:PA0, Eyepiece Tube Dia. 20mm Joint Move Design: Speically For Polarizing Microscope, To Keep Right Side Eyepiece's Cross In View Field Keep Vertical Direction Even When Eyepiece Tube Turned		•		•		•	
Eyepiece	WF10x/22mm, Dia. 20mm, High Eyepoint, Diopter Adjustable	•	•					A01,26211.22
	WF10x/22mm, Dia. 20mm, With Micrometer X-0.1mm*100 Div / Y-Single Line, Diopter Adjustable, With Position Pin For Joint Move	•	•					A01,26221.22P
	WF10x/20mm, Dia. 20mm, High Eyepoint, Diopter Adjustable			•	•	•	•	A01,26211.20
	WF10x/20mm, Dia. 20mm, With Micrometer X-0.1mm*100 Div / Y-Single Line, Diopter Adjustable, With Position Pin For Joint Move			•	•	•	•	A01,26221.20P
Nosepiece	Quintuple, Center Adjustable	•	•	•	•	•	•	A02,2610-N.2
Non-Stress Infinity Plan Objective (Transmitting)	PLAN 4x/10, W.D.=12,1mm	•	•			•	•	A0P.2620-4
	PLAN 10x/20, W.D.=4,64mm	•	•			•	•	A0P.2620.10
	PLAN 20x/8,4(S), W.D.=2,41mm	•	•			•	•	A0P.2620.20
	PLAN 40x/6,6(S), W.D.=0,60mm	•	•			•	•	A0P.2620.40
	PLAN 60x/4,8(S), W.D.=0,32mm							A0P.2620.60
	PLAN 100x/1,20(S,Oil), W.D.=0,12mm							A0P.2620.100
Non-Stress LWD Infinity Plan Objective (Reflecting)	LPL0x/12, W.D.=16,04mm			•	•	○	○	A0M.26230
	LPL10x/20 W.D.=18,48mm			•	•	○	○	A0M.262310
	LPL20x/8,4 W.D.=8,30mm			•	•	○	○	A0M.262320
	LPL00x/1,70(S) W.D.=1,90mm			•	•	•	•	A0M.262300
	LPL100x/1,90(S,Dry) W.D.=1,10mm			○	○	○	○	A0M.2623100





Power	ECO, Auto Power Off System. Power Off Automatically Upon User Leaving 10 Minutes, Power On Automatically Upon User Approaching Detected, This Function Can Be Shut Down Manually	○	○			○	○	A06,2660
Filter	Dia. 50mm, Blue	○	○	○	○	○	○	A06,261740B
	Dia. 50mm, Green	○	○	○	○	○	○	A06,261740G
	Dia. 50mm, Yellow	○	○	○	○	○	○	A06,261740A
Adapter	C-Mount 0.8x, Focus Adjustable		○				○	A00,260100
	C-Mount 0.7x, Focus Adjustable		○				○	A00,260170
	C-Mount 1.0x, Focus Adjustable		○				○	A00,260110
	Digital Eyepiece Camera Adapter, Dia. 23.2mm/20mm		○				○	A00,2610
Package & Weight	Carton Size 520×470×280mm, 1 Unit/Ctn, Gross Weight: 12.0 kgs, Net Weight: 10.0 kgs							A10,2601TB,TT
	Carton Size 520×470×430mm, 1 Unit/Ctn, Gross Weight: 16.0 kgs, Net Weight: 12.0 kgs							A10,2601RB,RT
	Carton Size 520×470×430mm, 1 Unit/Ctn, Gross Weight: 10.0 kgs, Net Weight: 11.0 kgs							A10,2601RTB,RTT

Note: "●" In Table Is Standard outfits, "○" Is Optional Accessories

### Product Accessories



**A5P.2630 Non-Stress Infinity Plan Objective (Transmitting)**



**601-T Polarizing Microscope Transmit Polarizing Unit**



A00,26.1.0  
C-Mount 0.5x



A00,26.1.75  
C-Mount 0.75x



A55.2601-10  
C-Mount 1.0x  
Focus  
Adjustable



A55.2610  
Digital Eyepiece  
Camera Adapter  
Dia. 23.2mm/25mm

A0P.2616-LK Attachable Mechanical  
Stage, Lecia Type



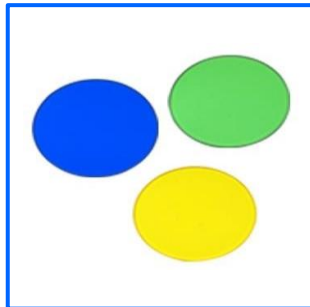
A0P.2616 Attachable Polarizing  
Mechanical Stage, Moving Range 4 x 4



A0P.2610-17a  
Quartz Wedge  
Slide (0-IV  
Class) Long  
Type



A06,2610-BK  
Field  
Diaphragm  
For Kohler Illumination



A06,2616  
Filter:  
Dia. 40mm  
Blue, Green,  
Yellow

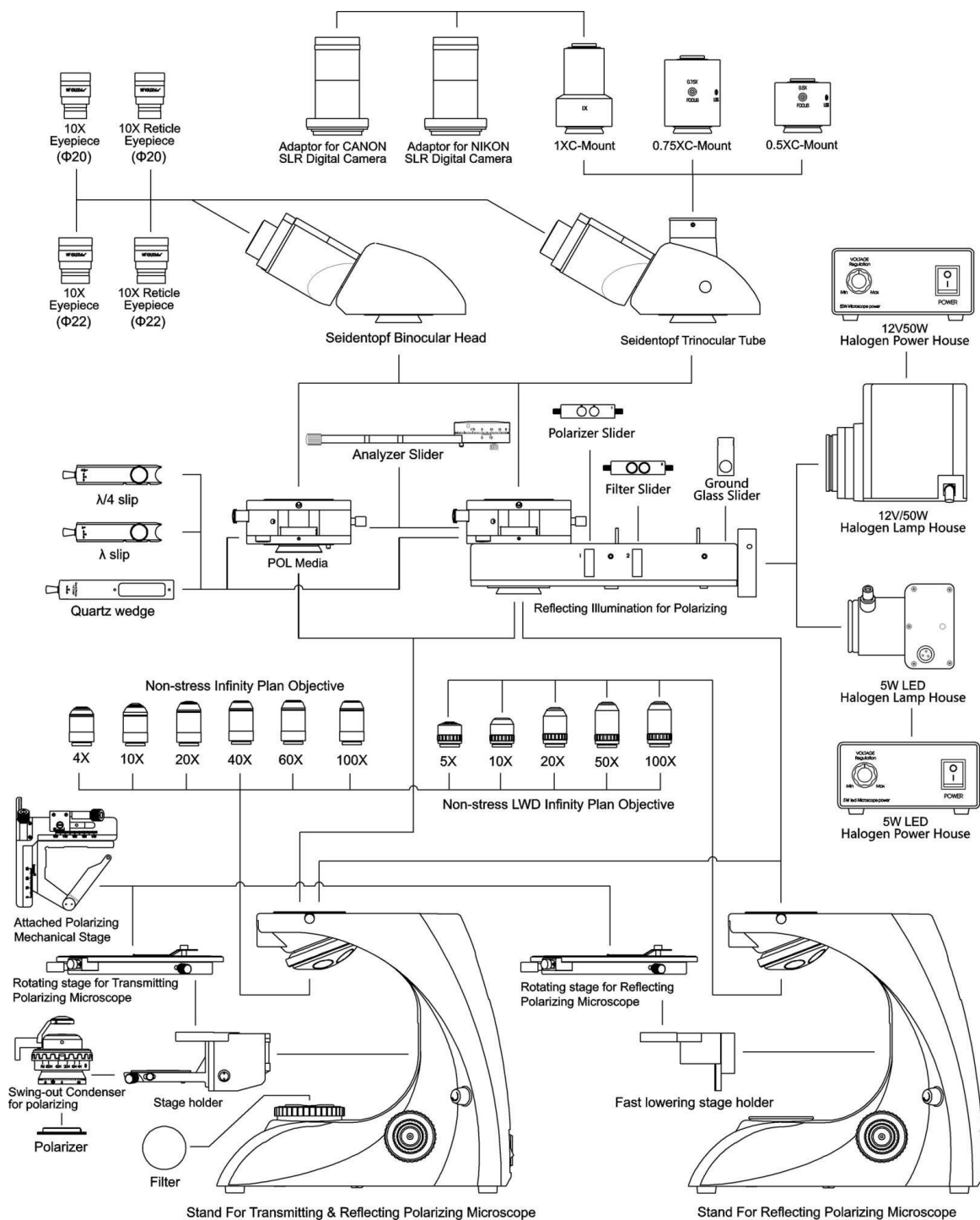


A04,2611-N.2  
Quintuple, Center  
Adjustable



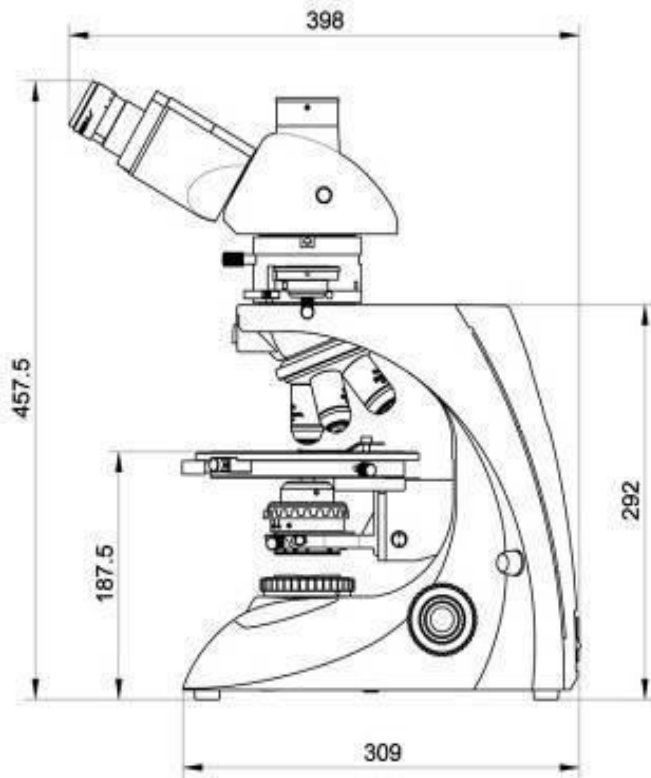
## General Layout Diagram

multifunction, is necessary for researching double refraction sample. It can observe mineral crystal figure, color and interference color and also identify its optical performance. It is a good microscope used in geology, petroleum, coal, Chemical fiber, medical treatment, mineral, drug, criminal investigation fields and physic inspection. It is also widely used in academic demonstration and research.

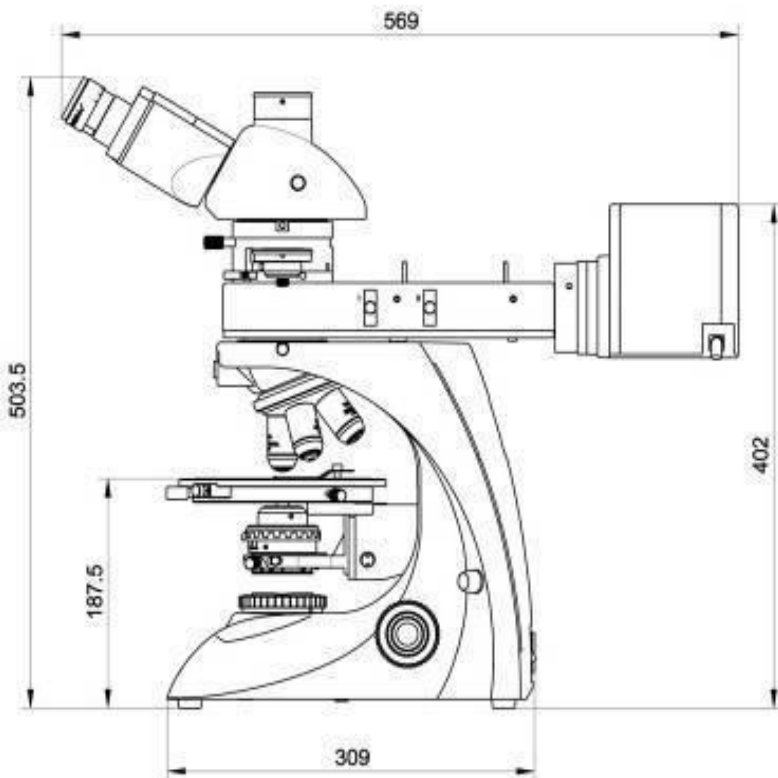




**Product Size(mm)**



1.1-T



1.1-R&RT

