



## میکروسکوپ کد (۲۶۰۴) Metallurgical Microscope, Reflect

- Best Reflect Light Metallurgical Microscope, Both LED Halogen Koehler Illumination
- Large Size Trinocular Head Eyepiece Tube Dia. ۳۰mm With Light Split Switch E۱۰۰:P۰/E۲۰:P۸۰
- SWF ۱۰x/۲۲mm Eyepiece Dia. ۳۰mm Diopter Adjustable + Reticle Eyepiece With Micrometer
- Metallurgical LWD Infinity Plan Objective ۵x, ۱۰x, ۲۰x, ۵۰x, ۸۰x, ۱۰۰x(Dry) Optional
- Mechanical Stage ۲۰۰x۱۵۰mm/۷۷x۵۲mm With Quick Drop Down for Extra ۵۰mm Up/Down

P o u y e s h S a n a t

آدرس: آبیگ خیابان طالقانی میدان سردار سلیمانی بلوار باهنر خیابان مالیات درب اول جنوبی صندوق پستی ۱۱۷۵-۳۴۴۱۵

Email: psatco@yahoo.com

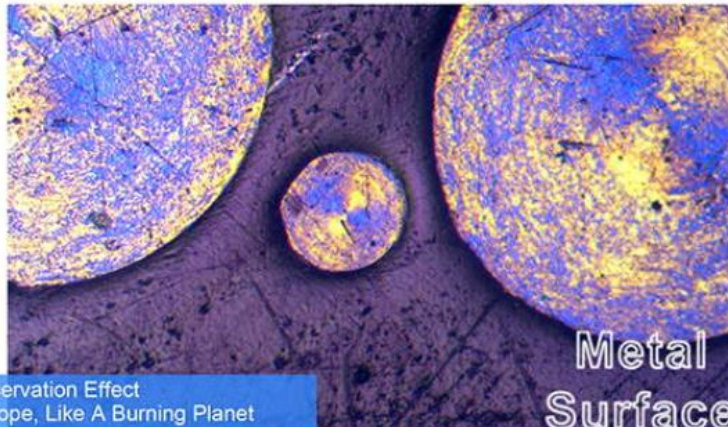
www.pouyesh-sanat.ir

تلفن: ۰۲۸-۳۲۸۹۴۰۶۷-۸ فکس: ۰۲۸-۳۲۸۹۴۰۶۹



Designer & Manufacturer of Industrial Lab Equipment

OPTO-EDU



10x Objective Observation Effect  
Under A Metallurgical Microscope, Like A Burning Planet



- Best Reflect Light Metallurgical Microscope, 5W LED Halogen Koehler Illumination
- Large Size Trinocular Head Eyepiece Tube Dia.30mm With Light Split Switch E100:P0/E20:P80
- SWF10x/22mm Eyepiece Dia.30mm Diopter Adjustable + Retical Eyepiece With Micrometer
- Metallurgical LWD Infinity Plan Objective 5x,10x,20x,50x,80x,100x(Dry) Optional
- Mechanical Stage 200x150mm/77x52mm With Quick Drop-Down For Extra 50mm Up/Down

Appreciation of metal surface observation results



- Trinocular Head With Switch Light Split Between E100:P0/E20:P80  
The Eyepiece Tube Has Fix Screw To Prevent Eyepiece Falling Damage During Move
- Trinocular Head With Switch Light Split Between E100:P0/E20:P80  
The Eyepiece Tube Has Fix Screw To Prevent Eyepiece Falling Damage During Move



Large Size Head With Eyepiece Tube And  
Eyepiece Dia.30mm.

P o u y e s h S a n a t

آدرس: آبیگ خیابان طالقانی میدان سردار سلیمانی بلوار باهنر خیابان مالیات درب اول جنوبی صندوق پستی ۱۱۷۵-۳۴۴۱۵

Email:psatco@yahoo.com

تلفن: ۰۲۸-۳۲۸۹۴۰۶۷-۸ فکس: ۰۲۸-۳۲۸۹۴۰۶۹

www.pouyesh-sanat.ir



## Designer & Manufacturer of Industrial Lab Equipment

- Super Wide Field 10x/22mm Eyepiece Dia.30mm Diopter Adjustable



- High Precision Reserved Quintuple, Backward Nosepiece



- Control The Amount Of Light According To Demand, The Effect Is More Perfect.



- Double Layer Mechanical Size 200x150mm, Travel Range 77x52mm



p o u y e s h S a n a t

آدرس: آبیگ خیابان طالقانی میدان سردار سلیمانی بلوار باهنر خیابان مالیات درب اول جنوبی صندوق پستی ۱۱۷۵-۳۴۴۱۵

Email: psatco@yahoo.com

تلفن: ۰۲۸-۳۲۸۹۴۰۶۷-۸ فکس: ۰۲۸-۳۲۸۹۴۰۶۹

www.pouyesh-sanat.ir



■ A13.2604-A=A12.2603+Reflect Metallurgical Unit



Number	Specification	Cata. No.
01	Metallurgical LWD Infinity Plan Objectives: 5x, 10x, 20x, 50x; Optional 80x, 100x	A5M.2633
02	Double Layer Mechanical Size 200×150mm	A54.2601-S01T
03	Reflect Light 5W LED Halogen, Koehler Illumination	A56.2612-5W

A13.2604-A Metallurgical Microscope, upright / reflecting metallurgical microscope with ergonomic design, equip with metallurgical infinity plan objective ,polarizing unit and 1X ,0.57X C-mount , also provide digital camera for CCD, SLR digital camera or special designing camera by our company. It has many advantages, for example, fine appearance, stable performance, excellent image, convenient usage etc. Widely used in factories, universities and relative research institutes, This series microscope is suitable for observing various metallurgical specimens ,casting quality and identification ,metallographic structure analysis, and play important role in IT chip, LCD basal plate detection, etc.

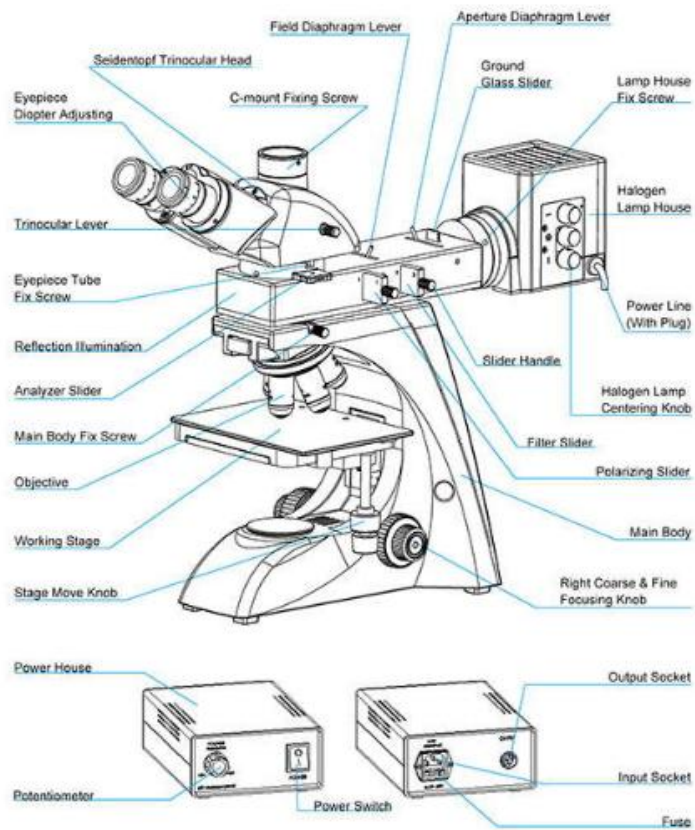


■ A12.2603-B

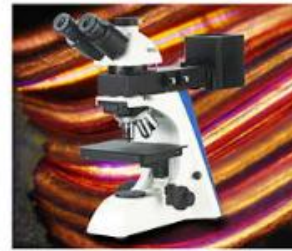


Items	A ۱۳,۲۶۰۴-A Metallurgical Microscope, Reflect	-A	Cata. No.
Head	Seidentopf Trinocular Head Inclined ۳۰°, Rotatable ۳۶۰°, Interpupillary Distance ۴۸-۷۶mm, Light Split Switch E۱۰۰:P۰/E۲۰:P۸۰, Eyepiece Tube Dia. ۳۰mm	●	A۰۳,۲۶۲۳-T
Eyepiece	WF۱۰x/۲۲mm, Dia. ۳۰mm, High Eyepoint, Diopter Adjustable	●	A۰۱,۲۶۲۱-۱۰۲۲
	WF۱۰x/۲۲mm, Dia. ۳۰mm, With Micrometer X-۰,۱mm*۱۸۰ Div / Y-Single Line, Diopter Adjustable	●	A۰۱,۲۶۲۲-۱۰۲۲
Nosepiece	Quintuple, Backward	●●	A۰۴,۲۶۱۰-N۰۱
Metallurgical LWD Infinity Plan Objectives	LPL ۰x/۰,۱۳, W.D.=۱۶,۰۴mm	●	A۰M.۲۶۳۳-۰
	LPL ۱۰x/۰,۲۰, W.D.=۱۸,۴۸mm	●	A۰M.۲۶۳۳۱۰
	LPL ۲۰x/۰,۴۰, W.D.=۱۸,۳۰mm	●	A۰M.۲۶۳۳-۲۰
	LPL ۰x/۰,۷۰, W.D.=۱,۹۰mm	●	A۰M.۲۶۳۳-۰۰
	LPL ۸x/۰,۸۰, W.D.=۰,۸۰mm	○	A۰M.۲۶۳۳-۸۰
	LPL ۱۰x/۰,۹۰ (Dry), W.D.=۱,۰۰mm	○	A۰M.۲۶۳۳-۱۰۰
Condenser	Abbe N.A. ۱,۲۰, With Iris Diaphragm		A۰۶,۲۶۱۴-۰۱d
Focusing	Coaxial Coarse And Fine Focusing Knobs, Travel Range: ۲۰mm, Scale: ۲μm	●	
Illumination	Reflect Light ۰W LED Halogen Koehler Illumination, Wide Voltage ۱۰۰V~۲۴۰V, Field Diaphragm	●	A۰۶,۲۶۱۲-۰W
	Reflect Light ۱۲V۰۰W Halogen Koehler Illumination, Wide Voltage ۱۰۰V~۲۴۰V, Field Diaphragm	○	A۰۶,۲۶۱۳-۱۲V۰۰W
Polarizing	Analyzer + Polarizer For Reflect Light	●	A۰P.۲۶۰۳-BKR
	Ground Glass Slider	○	A۰۶,۲۶۲۰-F
	Blue Filter Switch Handle	○	A۰۶,۲۶۲۰-B
	C-Mount ۰,۰x, Focus Adjustable	○	A۰۵,۲۶۰۱-۰۰
	C-Mount ۰,۷۰x, Focus Adjustable	○	A۰۵,۲۶۰۱-۷۰
	C-Mount ۱,۰x, Focus Adjustable	○	A۰۵,۲۶۰۱-۱۰
	Digital Eyepiece Camera Adapter, Dia. ۲۳,۲mm/۲۰mm	○	A۰۵,۲۶۱۰
Package	Carton Size ۰۲۰*۴۷۰*۴۳۰mm, ۱ Unit/Ctn		
Weight	Gross Weight ۱۶kgs, Net Weight ۱۲kgs		

Note: "●" In Table Is Standard outfits, "○" Is Optional Accessories.



■ A12.2603 Upgrade With Metallurgical Functional Attachment

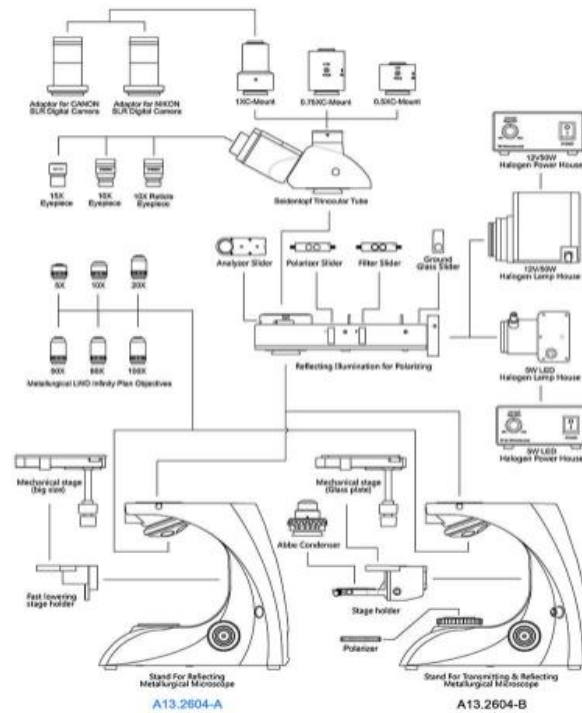


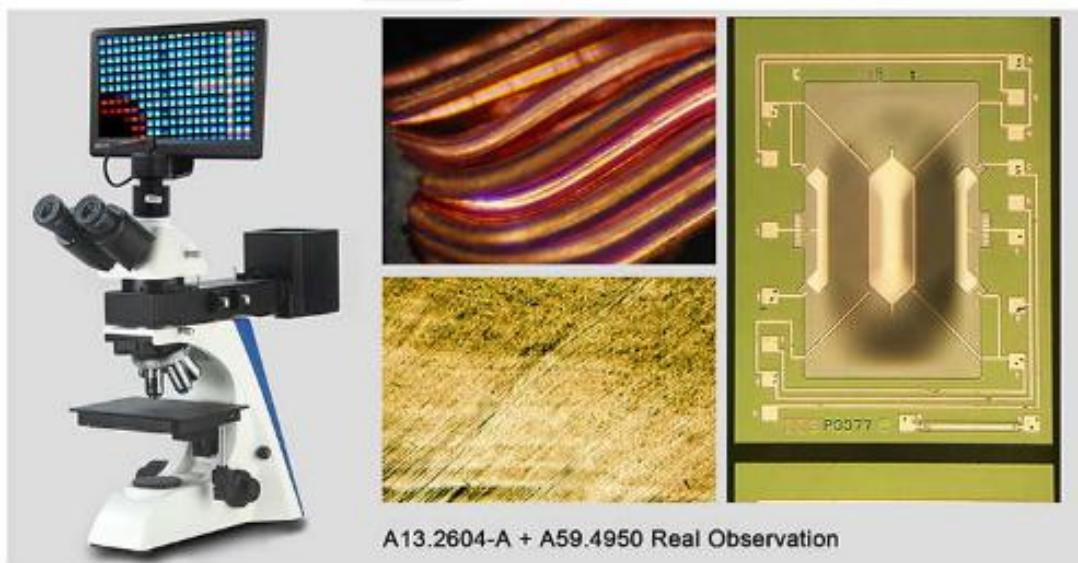
A13.2604-A  
Metallurgical Microscope  
Reflect



A13.2604-B  
Metallurgical Microscope  
Reflect & Transmit

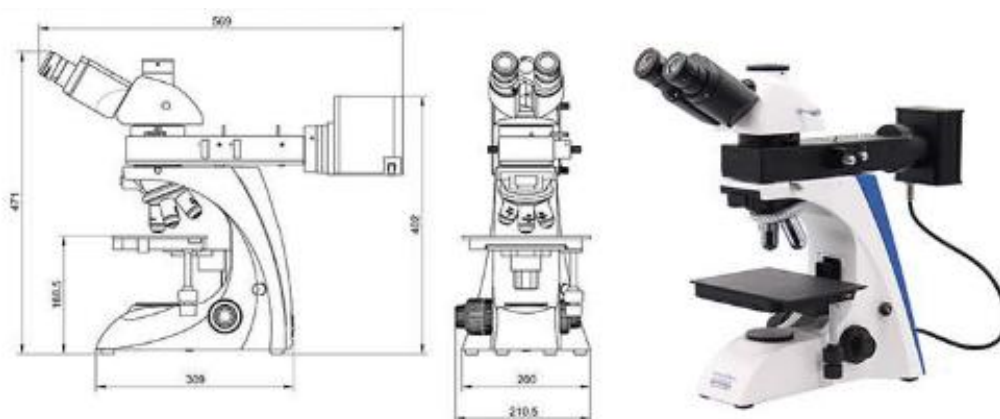
■ A13.2604-A Reflect Metallurgical Microscope General Layout Diagram





A13.2604-A + A59.4950 Real Observation

■ A13.2604-A Reflect Metallurgical Microscope Size(mm)



■ A13.2604-A Reflect Metallurgical Microscope Accessories

Number	Specification	Cats. No.
01	Analyzer + Polarizer For Reflect Light	A5P.2603-BKR
02	Blue Filter Switch Handle	A56.2620-B
03	Ground Glass Slider	A56.2620-F
04	C-Mount 0.5x, Focus Adjustable	A55.2601-05
05	C-Mount 0.75x, Focus Adjustable	A55.2601-75
06	C-Mount 1.0x, Focus Adjustable	A55.2601-10
07	Digital Eyepiece Camera Adapter	A55.2610



## specification

<b>Function</b>	BF+DF+DIC
<b>Features</b>	Infinity
<b>Optical System</b>	Infinity Plan
<b>Standard Magnification</b>	0.5x-0.05x
<b>Optional Magnification</b>	0.5x-1000x
<b>Head Type</b>	Seidentopf Trinocular
<b>Head Inclination</b>	30°+90°
<b>Head Rotation</b>	Eyepiece Rotate 360°
<b>Eyepiece Features</b>	Wide Field Retical High Eyepoint Diopter Adjustable
<b>Eyepiece Diameter</b>	30.0 mm
<b>Eyepiece</b>	WF 10x/22mm, 1pc WF 10x/22mm, With Micrometer X- 0.1mm*18 Div / Y-Single Line, 1pc
<b>Nosepiece Holes</b>	0 Holes
<b>Nosepiece Features</b>	Center Adjustable
<b>Objective Type</b>	Infinity Plan
<b>Objective Features</b>	Covreless (Metallurgical)
<b>Objective</b>	Metallurgical LWD Infinity Plan: LPL 0.5x/0.13, W.D.=16.04mm LPL 1.0x/0.20, W.D.=18.48mm LPL 2.0x/0.40, W.D.=8.30mm LPL 0.5x/0.70, W.D.=1.90mm
<b>Working Stage Type</b>	Double Layers Mechanical
<b>Working Stage Feature</b>	Large Size >140x140mm
<b>Working Stage Size</b>	182x140mm
<b>Working Stage Moving</b>	Moving Range 77x02mm
<b>Focusing Features</b>	Safety Stop Screw Tension Adjustable
<b>Focusing Range</b>	20mm
<b>Focusing Scale</b>	0.02mm
<b>Condenser N.A.</b>	1.20
<b>Condenser Features</b>	Rack & Pinion Up/Down Slot For Phase Contrast Slide
<b>Light Source Feature</b>	Brightness Adjustable Kohler Illumination LED 3W
<b>Light Source Type</b>	LED
<b>Transmit Light</b>	0W LED
<b>Reflect Light</b>	0W LED
<b>Power Supply Type</b>	AC 100V-240V Wide Voltage
<b>Polarizing</b>	—
<b>Metallurgical</b>	Metallurgical
<b>Function Upgradeable</b>	Polarizing
<b>Condenser Type</b>	—